

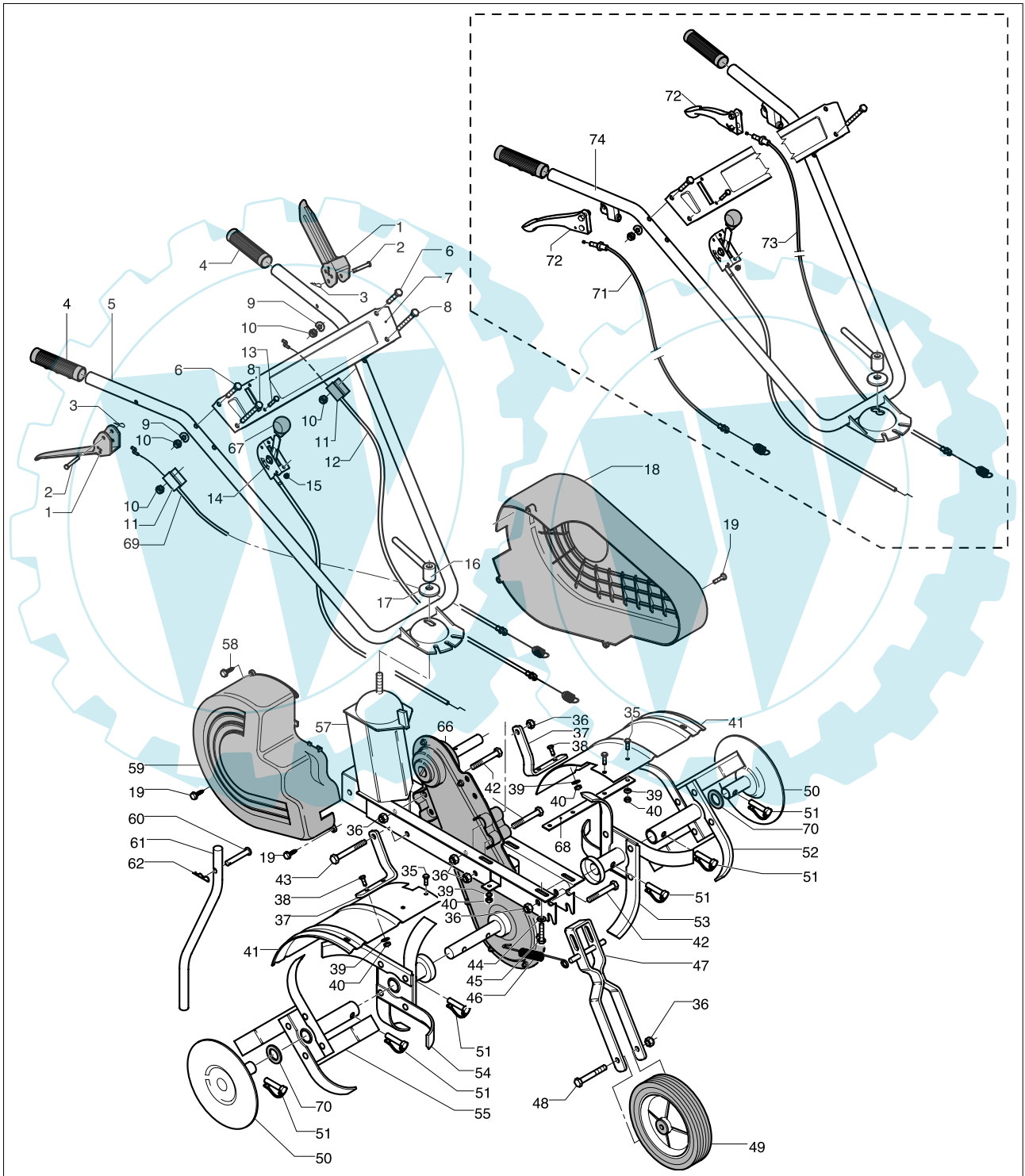
brand	MEP
-------	------------

date	JAN/02	SHEET 1/11
------	--------	------------

Model

POLO - JET

Product number



The Electrolux Group. The world's No.1 choice.

Ihr Ersatzteilspezialist im Internet

brand	MEP
-------	------------

date	JAN/02	SHEET 2/11
------	--------	------------

POLO - JET

Pos.	PN ELX	PN MEP	DESCRIZIONE	DESCRIPTION	DESCRIPTION	Q.ty	NOTE
1	531205422	10128683	maniglia frizione	clutch lever	manette d'embrayage	2	
2	531207409	10651400	perno	pin	pivot	2	
3	531207408	10651300	coppiglia	cotter pin	goupille	2	1.1x17
4	531207131	10500033	guaina	sheating	gaine	2	
5	531207572	10685001	manico	handle	guidon	1	mp
5	531207567	1068500A	manico	handle	guidon	1	
5	531207568	1068500C	manico	handle	guidon	1	
5	531207569	1068500F	manico	handle	guidon	1	
5	531207570	1068500L	manico	handle	guidon	1	
5	531207573	10685002	manico	handle	guidon	1	er
5	531207574	10685004	manico	handle	guidon	1	
6	531207441	10655200	vite	screw	vis	2	TE M6x40 UNI 5737-8,8-ZB
7	531207518	10679703	plancia comandi	dash-board	planche	1	
8	531205011	10118600	vite	screw	vis	2	TE M6x50 UNI 5737-8,8 ZN
9	531204961	10115900	rondella ondulata	washer	rondelle	2	6,5E
10	531208491	20281800	dado	nut	ecrou	4	M6H8UNI7473-ZB
11	531208043	20121983	supporto cavo	cable bearing	support du cable	2	
12	531207619	10690400	cavo marcia	clutch cable	cable d'embrayage	1	intek
12	531207566	10684600	cavo frizione	clutch cable	cable d'embrayage	1	geo-tec /b&s 3,5/honda
13	531207270	10547300	vite	screw	vis	2	TE M5x12 UNI 5739-8,8-ZB
14	531207613	10688700	cavo acceleratore	accelerator cable	cable accélérateur	1	intek 1080/60
14	531207582	10685800	acceleratore	accelerador	accélérateur	1	geo-tec /b&s 3,5 L.1120/60
14	531207109	10425200	acceleratore	accelerador	accélérateur	1	honda1040/60
15	531208661	20501380	dado	nut	ecrou	2	M5 H5 UNI5587- 6S ZB
16	531207508	10673700	leva bloccag.manico	lever	levier	1	
17	531207509	10674100	rondella	washer	rondelle	1	
18	531207523	10681103	carter copricinghia	housing	carter	1	intek
18	531207541	10682103	carter copricinghia	housing	carter	1	geo-tec
18	531207544	10682603	carter copricinghia	housing	carter	1	honda/brigs3,5
19	531207120	10427400	vite	screw	vis	4	TE FRTC4,8x13
35	531208660	20501370	vite	screw	vis	4	TE M6x20 UNI 5739-8,8-ZB
36	531207161	10501160	dado	nut	ecrou	5	M10 H12 UNI7473-ZB
37	531207420	10652303	supporto paratoia	bearing	support	2	
38	531208769	20655100	vite	screw	vis	2	TE M6x16 UNI 5739-8,8-ZB
39	531208499	20286606	rondella dentellata	washer	rondelle	6	D.6E
40	531207165	10501200	dado	nut	ecrou	6	M6 H6 UNI 5587-6S-ZB
41	531207536	10682001	protezione frese	housing	carter	2	
42	531207416	10652000	vite	screw	vis	3	TE M10x75 UNI 5737-8,8-ZB
43	531207511	10677400	vite	screw	vis	1	TE M10x85 UNI 5737-8,8-ZB



brand	MEP
-------	------------

date	JAN/02	SHEET 3/11
------	--------	------------

POLO - JET

Pos.	PN ELX	PN MEP	DESCRIZIONE	DESCRIPTION	DESCRIPTION	Q.ty	NOTE
44	531204922	10114200	rondella piana	washer	rondelle	8	8x16x1,5 ZB
45	531207044	10390800	vite	screw	vis	4	TE M8x40 UNI 5737-8,8-ZB
46	531207562	10684100	molla porta ruota	spring	ressort	1	
47	531207545	10682903	porta ruota	plate	plaque	1	
48	531207576	10685200	vite	screw	vis	1	TE M10X80 UNI 5737-8,8-ZB
49	531207583	10685903	ruota	wheel	roue	1	D.200/40
50	531207476	10660003	disco laterale	side disk	disque lateral	2	
51	531208634	20500910	perno con molla	pin with spring	pivot avec ressort	6	
52	531207464	10658603	stella esterna sinistra	external left star	étoile extérieure gauc.	1	
53	531207507	10673403	stella interna sinistra	inner left star	étoile intérieure gauc.	1	
54	531207506	10673303	stella interna destra	inner right star	étoile intérieure droite	1	
55	531207463	10658503	stella esterna destra	external right star	étoile extérieure droit	1	
57	531207559	10683901	scocca	deck	chassis	1	mp
57	531207553	1068390A	scocca	deck	chassis	1	
57	531207554	1068390C	scocca	deck	chassis	1	
57	531207555	1068390E	scocca	deck	chassis	1	
57	531207556	1068390F	scocca	deck	chassis	1	
57	531207557	1068390L	scocca	deck	chassis	1	
57	531210945	1068390Q	scocca	deck	chassis	1	
57	531207560	10683902	scocca	deck	chassis	1	er
57	531207561	10683904	scocca	deck	chassis	1	
58	531208216	20135720	vite	screw	vis	1	TCTC2FD5x16AC
59	531207529	10681903	carter	housing	carter	1	SX
60	531207406	10651100	perno	pin	pivot	1	
61	531207550	10683700	asta	rod	tige	1	
62	531208657	20501290	coppiglia	cotter pin	goupille	1	D.2
66	531207516	10679303	riduttore	reducer	reducteur	1	Z.8/Z.40
67	531206970	10303403	pomolo	knob	poignée	1	
68	531207600	10687803	asta rinforzo	rod	tige	1	
69	531207565	10684500	cavo retro	cable	cable	1	
70	531211004	10690423	rondella gomma	washer	rondelle	2	SBR D38X24,5X10
71	531207609	10688300	cavo retro	cable	cable	1	MM.900/1158
72	531207614	10688900	maniglia frizione	clutch lever	manette d'embrayage	2	
73	531207610	10688400	cavo frizione	clutch cable	cable d'embrayage	1	intek MM.860/1223
73	531211294	10690440	cavo marcia	clutch cable	cable d'embrayage	1	HONDA 135/160
74	531207604	1068810E	manico	handle	guidon	1	
74	531207605	1068810F	manico	handle	guidon	1	
74	531211278	1068810Q	manico	handle	guidon	1	
74	531210807	10688101	manico	handle	guidon	1	
74	531207607	10688104	manico	handle	guidon	1	



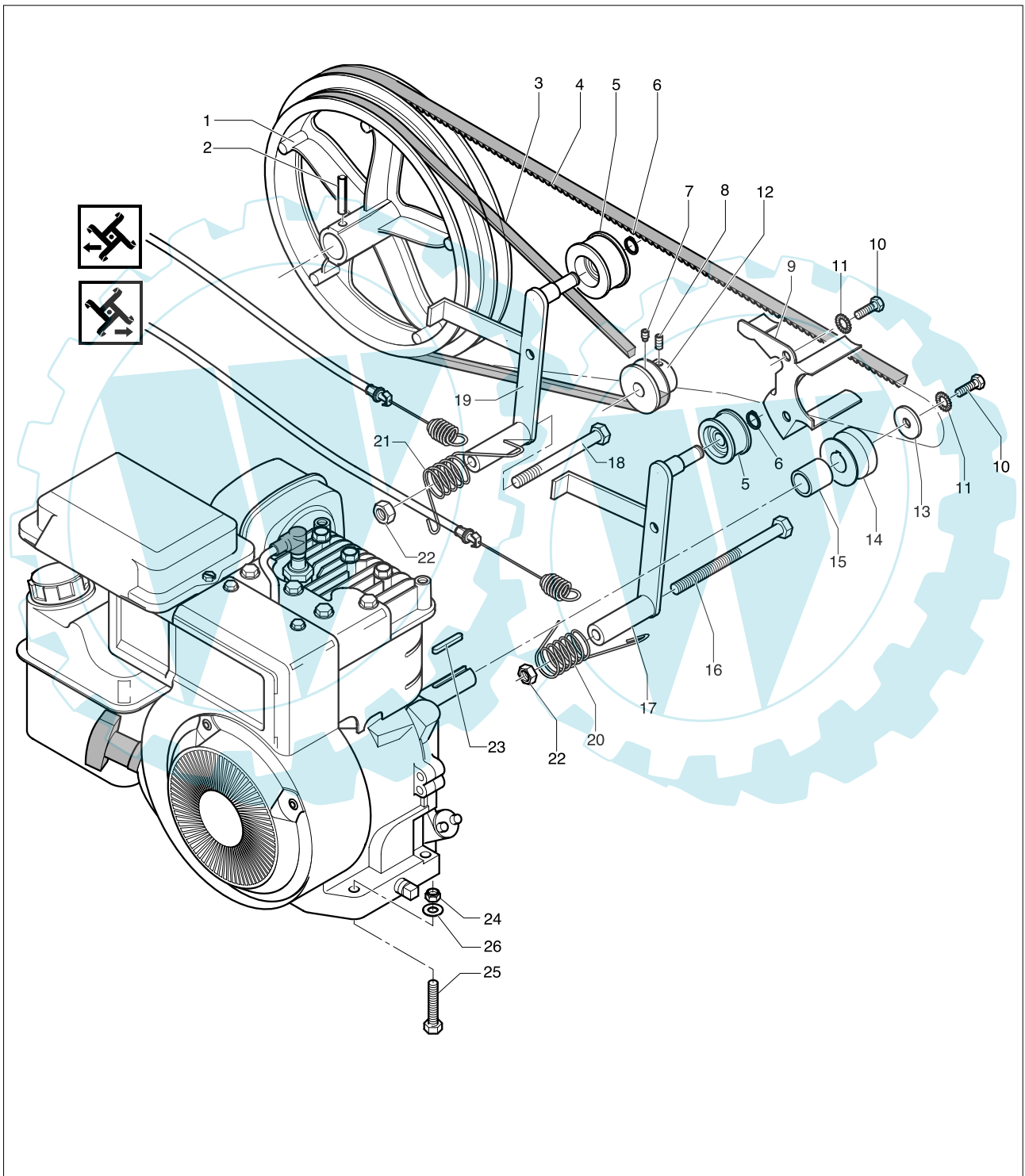
brand	MEP
-------	------------

date	JAN/02	SHEET 4/11
------	--------	------------

Model

POLO - JET

Product number



The Electrolux Group. The world's No.1 choice.

Ihr Ersatzteilspezialist im Internet

brand	MEP
-------	------------

date	JAN/02	SHEET 5/11
------	--------	------------

POLO - JET

Pos.	PN ELX	PN MEP	DESCRIZIONE	DESCRIPTION	DESCRIPTION	Q.ty	NOTE
1	531207488	10670100	puleggia doppia	pulley	pouile	1	D.272
2	531208404	20228214	spina elastica	resilient pin	goupile expansible	1	D.6x40
3	531207431	10654400	cinghia	belt	courroie	11	AX 45 (13x8.5) 1143 K
4	531207590	10686600	cinghia	belt	courroie	1	geo tec-Z.40 1/4
4	531207577	10685300	cinghia	belt	courroie	1	Li1020 KEVLAR b&s-Z.39 1/2 SLI 1003 (STA)
5	531204430	O9128633	puleggia tendicinghia	pulley	pouile	1	
6	531208772	20655800	seeger	seeger	seeger	2	D.12E DIN 471
7	531207512	10677500	vite screw vis 1 M6x16 UNI5929-67				
8	531207597	10687400	vite	screw	vis	1	M5x8 UNI59
9	531207592	10686800	guidacinghia	belt slide	guidage de courroie	1	
10	531207430	10654300	vite	screw	vis	3	TE 5/16'UNF x 5/8'(=16mm)
11	531207981	20106200	rondella dentellata	washer	rondelle	3	D.8E DIN 6798
12	531207502	10671800	puleggia motore	pulley	pouile	1	D.45
13	531205552	10135380	rondella piana	washer	rondelle	1	8x30x3ZP
14	531207503	10671900	puleggia retro	pulley	pouile	1	D.45
15	531207504	10672100	distanziale	spacer	entretoise	1	geo tec-b&s- honda
16	531205005	10118000	vite	screw	vis	1	TE M10x100 UNI 5737-8.8ZN
17	531207524	10681200	tendicinghia retro	belt stretcher	tendeur de courroie	1	
18	531207426	10653700	perno filett.	pin	pivot	1	M10x130x88
19	531207522	10680700	tendicinghia avanti	belt stretcher	tendeur de courroie	1	
20	531207564	10684300	molla tendicinghia	cutter-tightener spring	ressort tendeur courroie	1	
21	531207563	10684200	molla tendicinghia	cutter-tightener spring	ressort tendeur courroie	1	
22	531207978	20101700	dado	nut	ecrou	2	M10 H8 UNI 5588-6S ZB
23	531207432	10654500	chiavetta	key	clavette	2	4,75x4,75x23 UNI 92
24	531208599	20404900	dado	nut	ecrou	4	M8 H10 UNI7473-ZB
25	531207044	10390800	vite	screw	vis	4	TE M8x40 UNI 5737-8,8-ZB
26	531204922	10114200	rondella piana	washer	rondelle	4	8x16x1,5 ZB



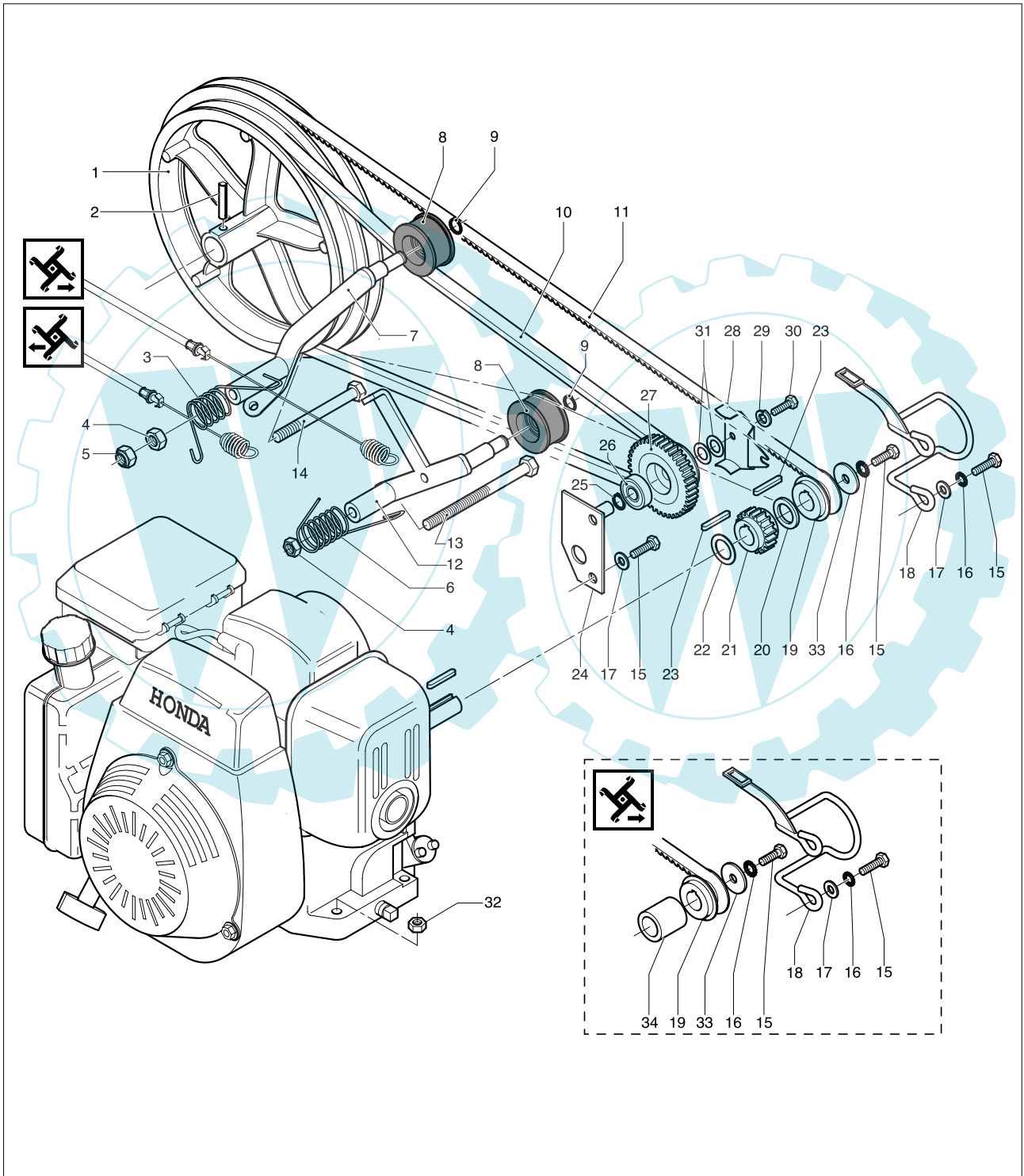
brand	MEP
-------	------------

date	JAN/02	SHEET 6/11
------	--------	------------

Model

POLO - JET

Product number



The Electrolux Group. The world's No.1 choice.

Ihr Ersatzteilspezialist im Internet



ELECTROLUX OUTDOOR PRODUCTS

brand	MEP
-------	-----

date	JAN/02	SHEET 7/11
------	--------	------------

POLO - JET

Pos.	PN ELX	PN MEP	DESCRIZIONE	DESCRIPTION	DESCRIPTION	Q.ty	NOTE
1	531207488	10670100	puleggia doppia	pulley	pouile	1	D.272
2	531208404	20228214	spina elastica	resilient pin	goupile expansible	1	D.6x40
3	531207564	10684300	molla tendicinghia	cutter-tightener spring	ressort tendeur courroie	1	
4	531207978	20101700	dado	nut	ecrou	2	M10 H8 UNI 5588-6S ZB
5	531207161	10501160	dado	nut	ecrou	2	M10 H12 UNI7473-ZB
6	531207563	10684200	molla tendicinghia	cutter-tightener spring	ressort tendeur courroie	1	
7	531207524	10681200	tendicinghia retro	belt stretcher	tendeur de corroie	1	
8	531204430	O9128633	puleggia tendicinghia	pulley	pouile	2	
9	531208772	20655800	seeger	seeger	seeger	2	D.12E DIN 471
10	531207431	10654400	cinghia	belt	courroie	1	AX 45 (13x8.5) 1143 K
11	531207510	10674600	cinghia	belt	courroie	1	Z40
12	531207522	10680700	tendicinghia avanti	belt stretcher	tendeur de corroie	1	
13	531207426	10653700	perno filett.	pin	pivot	1	M10x130x88 SPEC
14	531205005	10118000	vite	screw	vis	1	TE M10x100 UNI5737-8.8ZN
15	531207430	10654300	vite	screw	vis	5	TE 5/16'UNF x 5/8' (=16mm)
16	531207981	20106200	rondella dentellata	washer	rondelle	3	D.8E DIN 6798
17	531204922	10114200	rondella piana	washer	rondelle	4	8x16x1,5 ZB
18	531207578	10685400	guidacinghia	belt slide	guidage de courroie	1	
19	531207503	10671900	puleggia retro	pulley	pouile	1	D.45
20	531207594	10687000	distanziale	spacer	entretoise	1	D.19,5/30/4
21	531207586	10686100	ingranaggio	crown gear	engrenage	1	Z19
22	531206725	10300160	distanziale	spacer	entretoise	1	ITT 20,2x30x1
23	531207432	10654500	chiavetta	key	clavette	2	4,75x4,75x23 UNI 92
24	531207585	10686000	piastra fissaggio	fixture plate	plaque fixation	1	
25	531207524	10681200	tendicinghia retro	belt stretcher	tendeur de corroie	1	
26	531208765	20654000	cuscinetto	ball-bearing	roulement	2	6201/2RS
27	531207587	10686200	ingranaggio	crown gear	engrenage	1	
28	531207589	10686400	piastra guida cinghia	bearing	support	1	
29	531207595	10687100	rondella grower	washer	rondelle	1	D.6
30	531208612	20480900	vite	screw	vis	1	TE M6x12 UNI 5739-8,8-ZB
31	531207588	10686300	distanziale	spacer	entretoise	2	D.12.5/21/0.5
32	53128599	20404900	dado	nut	ecrou	4	M8
33	531205552	10135380	rondella piana	washer	rondelle	1	8x30x3ZP
34	531207504	10672100	distanziale	spacer	entretoise	1	D.25x19,2x34 H



 The Electrolux Group. The world's No. 1 choice.

Ihr Ersatzteilspezialist im Internet

Electrolux

ELECTROLUX OUTDOOR PRODUCTS

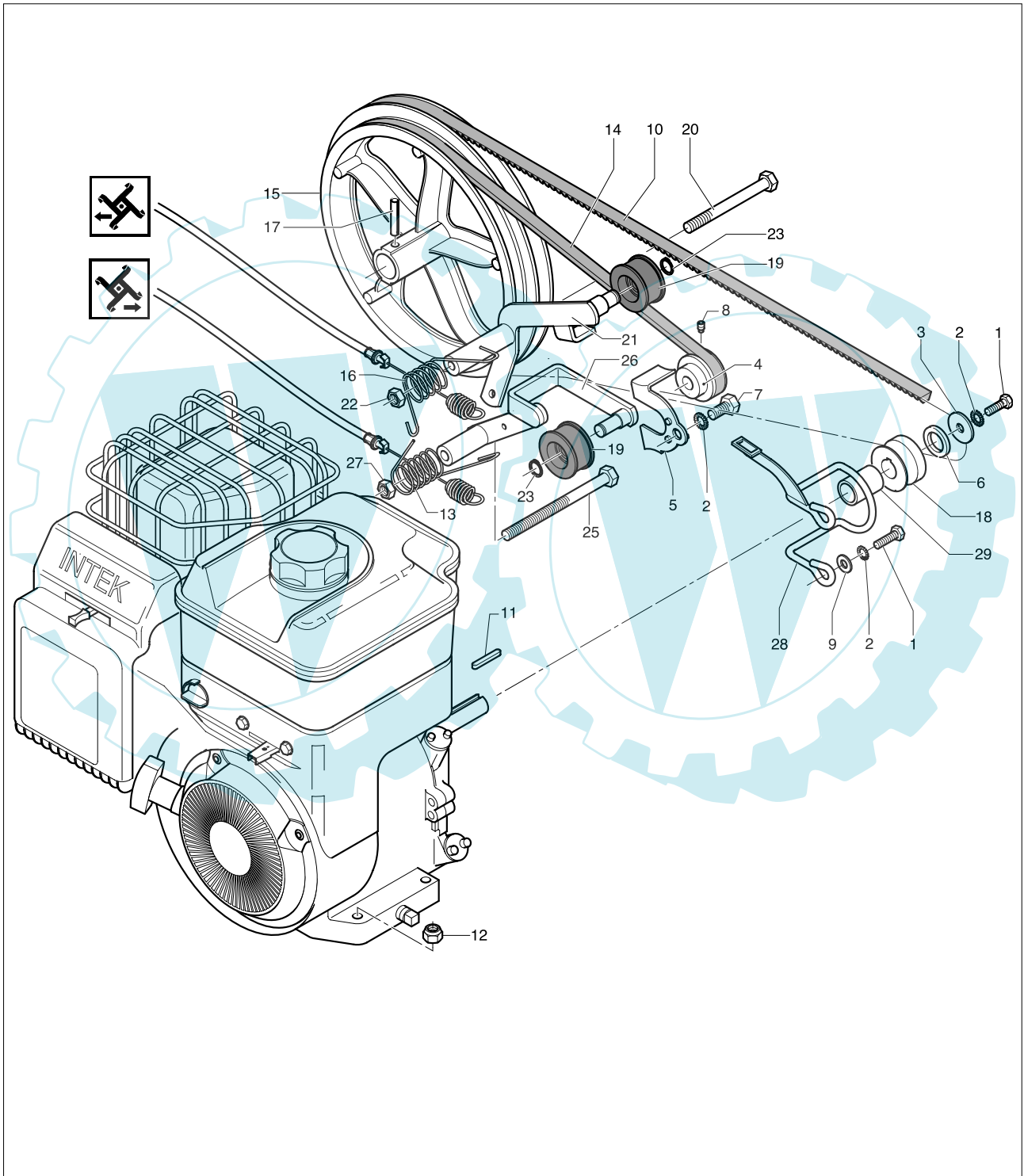
brand	MEP
-------	------------

date	JAN/02	SHEET 8/11
------	--------	------------

Model

POLO - JET

Product number



The Electrolux Group. The world's No.1 choice.

Ihr Ersatzteilspezialist im Internet

brand	MEP
-------	-----

date	JAN/02	SHEET 9/11
------	--------	------------

POLO - JET

Pos.	PN ELX	PN MEP	DESCRIZIONE	DESCRIPTION	DESCRIPTION	Q.ty	NOTE
1	531207596	10687300	vite	screw	vis	3	TE 5/16" UNF X 3/4"
2	531207981	20106200	rondella dentellata	washer	rondelle	4	D.8E DIN 6798
3	531205552	10135380	rondella piana	washer	rondelle	1	8x30x3ZP
4	531207594	10687000	distanziale	spacer	entretoise	1	D.19,5/30/4
5	531207602	10688000	guidacinghia	belt slide	guidage de courroie	1	
6	531207503	10671900	puleggia retro	pulley	pouile	1	D.45
7	531207430	10654300	vite	screw	vis	1	TE 5/16" UNF x 5/8" (=16mm)
8	531207597	10687400	vite	screw	vis	1	M5x8 UNI59
9	531204922	10114200	rondella piana	washer	rondelle	2	8x16x1,5 ZB
10	531207616	10689500	cinghia	belt	courroie	1	Z 39 (10x1000LI)
11	531207432	10654500	chiavetta	key	clavette	1	4,75x4,75x23 UNI 92 M8 H10 UNI7473-ZB
12	531208599	20404900	dado	nut	ecrou	1	
13	531207563	10684200	molla tendicinghia	cutter-tightener spring	ressort tendeur courroie	1	
14	531207431	10654400	cinghia	belt	courroie	1	AX 45 (13x8.5) 1143 K
15	531207488	10670100	puleggia doppia	pulley	pouile	1	D.272
16	531207564	10684300	molla tendicinghia	cutter-tightener spring	ressort tendeur courroie	1	
17	531208404	20228214	spina elastica	resilient pin	goupille expansible	1	D.6x40
18	531207617	10689600	distanziale motore	spacer	entretoise	1	D.19/25/31H MM
19	531204430	09128633	puleggia tendicinghia	pulley	pouile	2	
20	531205005	10118000	vite	screw	vis	1	TE M10x100 UNI5737-8.8ZN
21	531207611	10688500	tendicinghia retro	belt stretcher	tendeur de courroie	1	
22	531207978	20101700	dado	nut	ecrou	1	M10 H8 UNI 5588-6S ZB
23	531208772	20655800	seeger	seeger	seeger	2	D.12E DIN 471
25	531207426	10653700	perno filett.	pin	pivot	1	M10x130x88 SPEC
26	531207612	10688600	tendicinghia avanti	belt stretcher	tendeur de courroie	1	
27	531208658	20501310	dado	nut	ecrou	2	M10 H10 UNI 5587-6S-ZB
28	531207578	10685400	guidacinghia	belt slide	guidage de courroie	1	
29	531207617	10689600	distanziale	spacer	entretoise	1	D.19/25/31H MM



Electrolux

ELECTROLUX OUTDOOR PRODUCTS

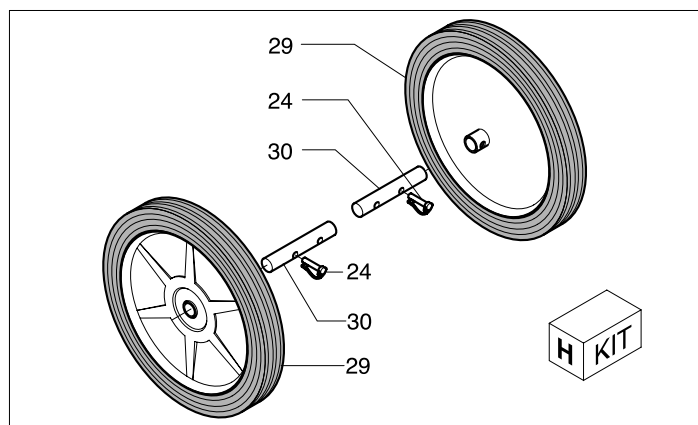
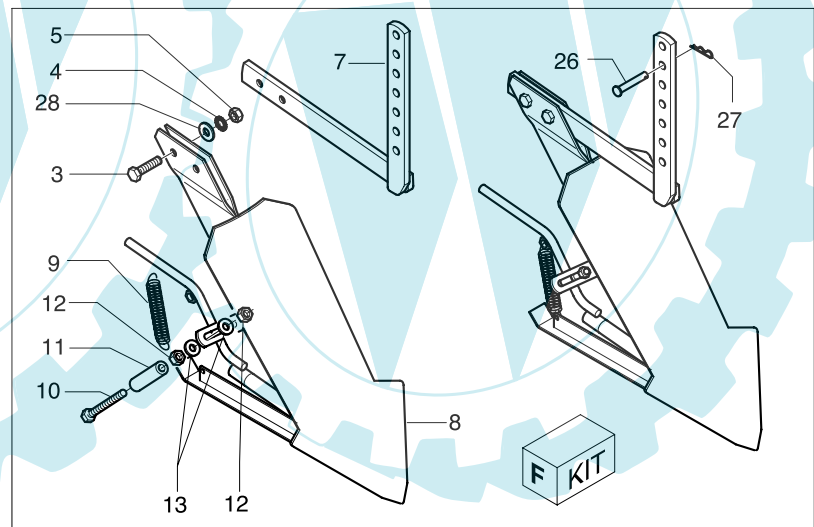
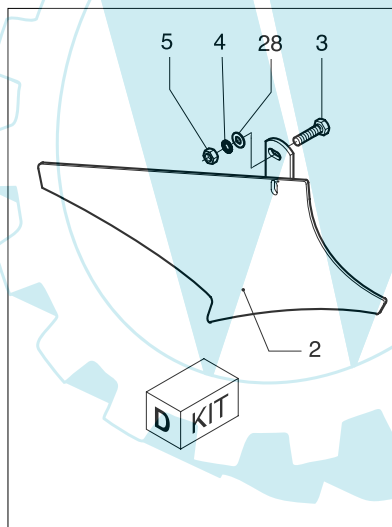
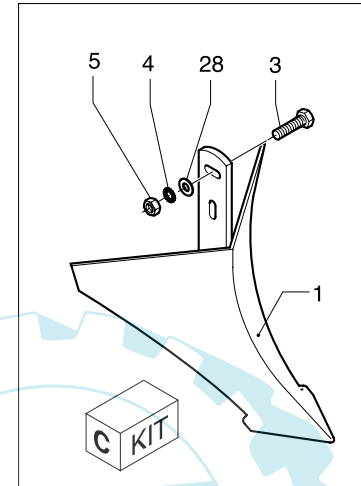
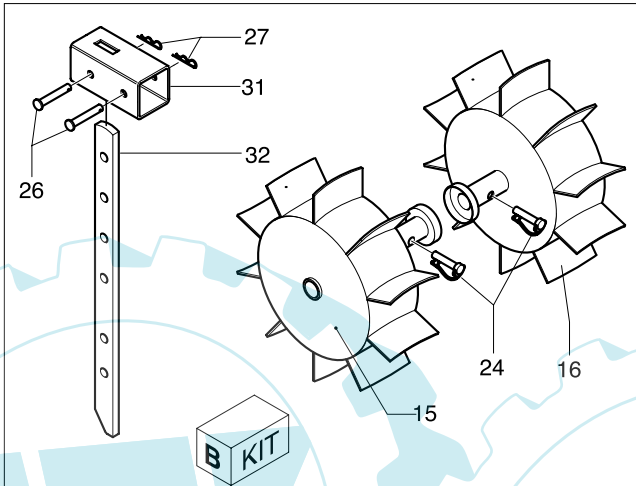
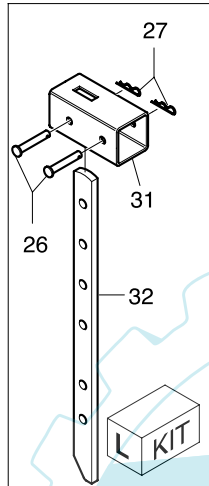
brand	MEP
-------	------------

date	JAN/02	SHEET 10/11
------	--------	-------------

Model

POLO - JET

Product number



 **The Electrolux Group. The world's No.1 choice.**

Ihr Ersatzteilspezialist im Internet

brand **MEP**

date

JAN/02

SHEET 11/11

POLO - JET

Pos.	PN ELX	PN MEP	DESCRIZIONE	DESCRIPTION	DESCRIPTION	Q.ty	NOTE
B	953875069	C2052.0	kit ruote motrici/asta	kit driving wheel/rod	kit roue motrice/tige		
15	531207223	10503423	ruota motrice	driving wheel	roue motrice	1	DX
16	531207224	10503433	ruota motrice	driving wheel	roue motrice	1	SX
24	531208634	20500910	perno con molla	pin with spring	pivot avec ressort	2	
L	953875032	CE141.0	kit supp.accessori	kit accessoires support	kit supp.equipments		
26	531207593	10686900	perno	pin	pivot	2	D.10x88
27	531208657	20501290	coppiglia	cotter pin	goupille	2	D.2
31	531207549	10683603				1	
32	531207412	10651603	asta	rod	tige	1	
C	953875027	CE031.0	kit assalcatore	kit ridger	kit buttoir		
1	531207201	10503003	rincalzatore	ridger	buttoir	1	
3	531208659	20501350	vite	screw	vis	1	TE M10x35
4	531208974	30102100	rondella	washer	rondelle	1	10E
5	531207978	20101700	dado	nut	ecrou	1	M10 H8
28	531207122	10428900	rondella	washer	rondelle	1	10x21x2
D	953875025	CE011.0	kit aratro	kit plough	kit charrue		
2	531207203	10503023	aratro	plough	charrue	1	
3	531208659	20501350	vite	screw	vis	1	TE M10x35
4	531208974	30102100	rondella	washer	rondelle	1	10E
5	531207978	20101700	dado	nut	ecrou	1	M10 H8
28	531207122	10428900	rondella	washer	rondelle	1	10x21x2
F	953875026	CE021.0	kit aratro reversibile	reversible plough kit	kit brabant double	2	TE M10x35
3	531208659	20501350	vite	screw	vis	2	10E
4	531208974	30102100	rondella	washer	rondelle	2	M10 H8
5	531207978	20101700	dado	nut	ecrou	1	
7	531207214	10503263	asta	rod	tige	1	
8	531207212	10503253	corpo aratro reversibile	reversible plough body	corps brabant double	1	
9	531207216	10503301	molla	spring	ressort	1	TE M8x55 UNI 5737-8,8-ZB
10	531207102	10404500	vite	screw	vis	1	D13/10/32
11	531208732	20603300	bussola	bush	douille	1	M8 H8
12	531207982	20106300	dado	nut	ecrou	2	8x16x1,5
13	531204922	10114200	rondella	washer	rondelle	2	D.10x88
26	531207593	10686900	perno	pin	pivot	2	D.2
27	531208657	20501290	coppiglia	cotter pin	goupille	2	10x21x2
28	531207122	10428900	rondella	washer	rondelle		
H	953875077	C2021.0	kit ruote trasferimento	kit trasfer wheel	kit roue de translation		
24	531208634	20500910	perno con molla	pin with spring	pivot avec ressort	2	
29	531207211	10503230	ruote di trasferimento	trasfer wheel	roue de translation	2	DX
30	531208709	20560270	albero	shaft	arbre	2	
L	953875032	CE141.0	kit supp.accessori	kit accessoires support	kit supp.equipments		
26	531207593	10686900	perno	pin	pivot	2	D.10x88
27	531208657	20501290	coppiglia	cotter pin	goupille	2	D.2
31	531207549	10683603	supporto accessori	equipments support	support accessoires	1	
32	531207412	10651603	asta	rod	tige	1	

